



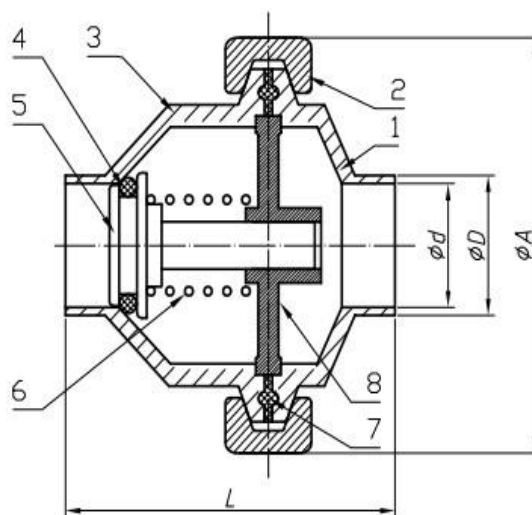
Cangzhou Changyuan Fittings Co.,Ltd

[Http://www.con-well.com](http://www.con-well.com) email:con-well@vip.163.com

Add:No.26 Shigang Road,Development Zone,Cangzhou ,Hebei,China Pc:061000

Sanitary Check Valves

DIN standard



Sanitary Check Valves,DIN standard (mm)

SIZE	d	D	L±2.0	A±2.0
DN25	25.0	28.0	65.0	75.0
DN32	31.0	34.0	68.0	88.0
DN40	37.0	40.0	68.0	88.0
DN50	49.0	52.0	84.0	104.0
DN65	66.0	70.0	99.0	118.0
DN80	81.0	85.0	113.0	145.0
DN100	100.0	104.0	123.0	163.0

MATERIAL LIST

ITEM	DESCRIPTION	MATERIAL
1	Valve body-small	304/316/316L
2	Clamp	304
3	Valve body-big	304/316/316L
4	O ring	Silion(red)
5	stem	304/316/316L
6	Spring	304/316
7	Seal	Silion(white)
8	Valve accessory	304/316/316L

FEATURES:

- Working pressure:1.0MPa
- Opening pressure:0.5Mpa
- Working temperature:-10℃ to 150℃